

Miele

Operating and installation instructions



Refrigerator with PerfectFresh zone and Dynamic cooling

K 34272 iD

K 35272 iD

K 37272 iD

To avoid the risk of accidents or damage to the appliance it is **essential** to read these instructions before it is installed and used for the first time.

en - GB

M.-Nr. 09 750 600

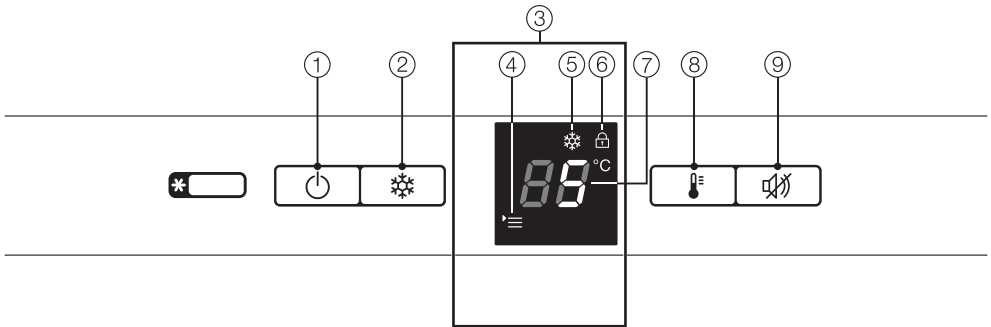
Contents

Guide to the appliance	4
Optional accessories	6
Bottle rack	6
Split shelf	6
Caring for the environment	7
Warning and Safety instructions	8
How to save energy	16
Switching on and off	18
Before using for the first time	18
Switching off for longer periods of time	19
The correct temperature	20
... in the refrigerator and the PerfectFresh zone	20
Dynamic cooling	20
Temperature display	21
Setting the temperature	21
Setting the temperature in the PerfectFresh zone	22
Selecting settings	23
Settings mode	23
Activating or deactivating the lock	23
Using Super cool	25
Super cool	25
Door alarm	26
Door alarm	26
Switching the alarm off early	26
Storing food in the refrigerator section	27
Different storage zones	27
Food which is not suitable for storing in the refrigerator	28
When shopping for food	28
Storing food correctly	28
Storing food in the PerfectFresh zone	29
Dry compartment ▲	30
Humidity controlled compartment ▲, ▲▲	30
Humidity level not increased ▲	30
Increased humidity ▲▲	30

Adjusting the interior fittings	32
Adjusting the door shelf/bottle shelf	32
Moving the bottle holder	32
Moving the shelves	32
Automatic defrosting	34
Cleaning and care	35
Cleaning the interior and accessories	36
Ventilation gaps	37
Door seal	37
Problem solving guide	38
Noises	44
After Sales / Guarantee	45
Guarantee	45
Note for test institutes	46
Electrical connection	47
Installation	48
Location	48
Climate range	48
Ventilation	49
Before installing the appliance	50
Does your old appliance have a different hinging mechanism?	51
Stainless steel front panel	51
Building-in dimensions	52
Adjusting the door hinges	53
Changing the door hinging	54
Building in the appliance	57
Fitting a furniture door	65

Guide to the appliance

Control panel



① On/Off button

② Super cool button

③ **Display**

④ Menu symbol
(Settings mode:
For activating and deactivating the
lock;
For setting the temperature in the
PerfectFresh zone)

⑤ Super cool symbol

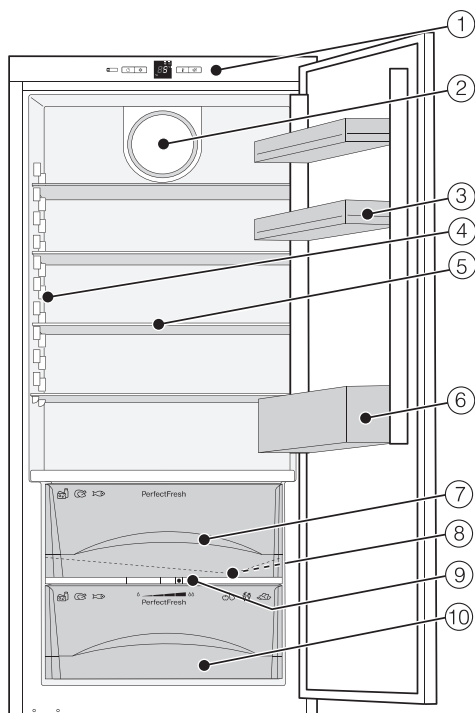
⑥ Lock symbol

⑦ Temperature display

⑧ Temperature selector button

⑨ Alarm off button

Guide to the appliance



- ① Control panel
- ② Dynamic cooling fan
- ③ Door shelf/Egg tray
- ④ Interior lighting
- ⑤ Adjustable shelf
- ⑥ Bottle shelf
- ⑦ PerfectFresh zone, dry compartment*
- ⑧ Condensate channel and drain hole
- ⑨ Control for setting the moisture level in the humidity controlled compartments
- ⑩ PerfectFresh zone, humidity controlled compartment

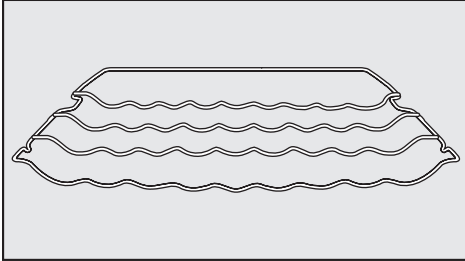
* Depending on model

This drawing is for illustration purposes only.

Guide to the appliance

Optional accessories

Bottle rack



Bottles can be stored horizontally using the bottle rack to save space. The bottle rack can be placed at different positions in the appliance.

Split shelf

In order to accommodate tall items in the appliance, one of the shelves is divided. The front section can be pushed under the rear section.

Microfibre cloth

The microfibre cloth is suitable for removing fingerprints and light soiling from surfaces such as stainless steel, glass, plastic and chrome without the use of chemicals.

Optional accessories are available from Miele or via the internet.



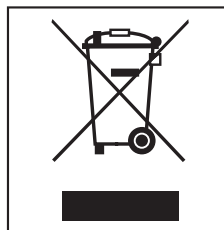
Disposal of the packing material

The packaging is designed to protect the appliance from damage during transportation. The packaging materials used are selected from materials which are environmentally friendly for disposal and should be recycled.

Recycling the packaging reduces the use of raw materials in the manufacturing process and also reduces the amount of waste in landfill sites.

Disposal of your old appliance

Electrical and electronic appliances often contain valuable materials. They also contain materials which, if handled or disposed of incorrectly, could be potentially hazardous to human health and to the environment. They are, however, essential for the correct functioning of your appliance. Please do not therefore dispose of it with your household waste.



Please dispose of it at your local community waste collection / recycling centre or contact your dealer for advice. Ensure that it presents no danger to children while being stored for disposal.

Take care not to damage the pipework at the back of it before or during transportation to an authorised collection depot.

In this way, refrigerant in the pipework and oil in the compressor will be contained, and will not leak out into the environment.

Warning and Safety instructions

This appliance complies with all statutory safety requirements. Inappropriate use can, however, lead to personal injury and damage to property.

To avoid the risk of accidents and damage to the appliance, please read these instructions carefully before installation and before using it for the first time. They contain important information on installation, safety, use and maintenance.

Miele cannot be held liable for damage caused by non-compliance with these Warning and Safety instructions.

Keep these instructions in a safe place and ensure that new users are familiar with the content. Pass them on to any future owner.

Correct application

▶ The appliance is intended for use in domestic households and similar working and residential environments. It is not intended for outdoor use.

▶ This appliance is intended for domestic use only for cooling and storing food and drink. Any other usage is not supported by the manufacturer and could be dangerous.

Warning and Safety instructions

▶ The appliance is not suitable for storing and keeping cool medicines, blood plasma, laboratory preparations or other such materials or products. Incorrect use of the appliance for such purposes can cause deterioration of the items stored. The appliance is also not suitable for use in areas susceptible to explosion. Miele cannot be held liable for any damage resulting from incorrect or improper use or operation.

▶ The appliance can only be used by people with reduced physical, sensory or mental capabilities, or lack of experience and knowledge, if they are supervised whilst using it, or have been shown how to use it in a safe way and recognise and understand the consequences of incorrect operation.

Safety with children

▶ Children under 8 years of age must be kept away from the appliance unless they are constantly supervised.

▶ Children 8 years and older may only use the appliance unsupervised if they have been shown how to use it in a safe way and recognise and understand the consequences of incorrect operation.

▶ Children must not be allowed to clean or maintain the appliance unsupervised.

▶ Please supervise children in the vicinity of the appliance and do not let them play with it.

Warning and Safety instructions

▶ Danger of suffocation. Packaging, e.g. plastic wrappings, must be kept out of the reach of babies and children. Whilst playing, children could become entangled in packaging or pull it over their head and suffocate.

Technical safety

▶ The coolant system is tested for leaks. The appliance complies with statutory safety requirements and the appropriate EU guidelines.

▶ This appliance contains the coolant Isobutane (R600a), a natural gas which is environmentally friendly. Although it is flammable, it does not damage the ozone layer and does not increase the greenhouse effect. The use of this coolant has, however, led to a slight increase in the noise level of the appliance. In addition to the noise of the compressor, you might be able to hear the coolant flowing around the system. This is unavoidable, and does not have any adverse effect on the performance of the appliance. Care must be taken during the transportation and installation of the appliance that no parts of the cooling system are damaged. Leaking refrigerant can damage the eyes.

In the event of any damage:

- avoid any flames or anything which creates a spark,
- disconnect the appliance from the electricity supply,
- ventilate the room where the appliance is located for several minutes, and
- call the Service Department.

Warning and Safety instructions

- ▶ The more coolant there is in an appliance, the larger the room it should be installed in. In the event of a leakage, if the appliance is in a small room, there is the danger of combustible gases building up. For every 8 g of coolant at least 1 m³ of room space is required. The amount of coolant in the appliance is stated on the data plate inside the appliance.
- ▶ To avoid the risk of damage to the appliance, make sure that the connection data (fuse rating, frequency and voltage) on the data plate corresponds to the household supply. Check that this is the case before connecting the appliance. Consult a qualified electrician if in any doubt.
- ▶ The electrical safety of this appliance can only be guaranteed when it is correctly earthed. It is essential that this standard safety requirement is met. If in any doubt, please have the electrical installation tested by a qualified electrician.
- ▶ If the electrical connection cable is faulty it must only be replaced by a Miele approved service technician to protect the user from danger.
- ▶ Do not connect the appliance to the mains electrical supply by a multi-socket adapter or extension lead. These are a fire hazard and do not guarantee the required safety of the appliance.
- ▶ Do not use in a damp environment (e.g. garage or utility room). Moisture could reach live components or the electrical connection and cause a short circuit.
- ▶ This appliance must not be used in a non-stationary location (e.g. on a ship).

Warning and Safety instructions

- ▶ A damaged appliance can be dangerous. Check the appliance for visible signs of damage. Do not use a damaged appliance.
- ▶ For safety reasons, this appliance may only be used when it has been built in.
- ▶ The appliance must be disconnected from the mains electricity supply during installation, maintenance and repair work. Ensure that power is not supplied to the appliance until after it has been installed or until after any maintenance or repair work has been carried out.
- ▶ Unauthorised installation, maintenance and repairs can cause considerable danger to users. Installation, maintenance and repair work must only be carried out by a Miele authorised technician.
- ▶ While the appliance is under guarantee, repairs should only be undertaken by a Miele authorised service technician. Otherwise the guarantee is invalidated.
- ▶ Miele can only guarantee the safety of the appliance when original Miele replacement parts are used. Faulty components must only be replaced by genuine Miele original spare parts.

Correct use

- ▶ The appliance is designed for use within certain climate ranges (ambient temperatures), and should not be used outside this range. The climate range of the appliance is stated on the data plate inside the appliance. Installing it in a room with too low an ambient temperature will lead to the appliance switching off for longer periods so that it cannot maintain the required temperature.
- ▶ Do not cover or block the air vents as this could impair the efficiency of the appliance, increase the electricity consumption and could cause damage to the appliance.
- ▶ If storing food which contains a lot of fat or oil in the appliance or the door, make sure that it does not come into contact with plastic components as this could cause stress cracks or break the plastic.
- ▶ Do not store explosive materials in the appliance or any products containing propellants (e.g. spray cans). Electrical components could cause flammable vapours to ignite. Danger of fire and explosion.
- ▶ Do not operate any electrical equipment (e.g. an electric ice-cream maker) inside the appliance. Danger of sparking and explosion.

Warning and Safety instructions

▶ Observe the manufacturer's "use-by" dates and storage instructions given on food to avoid the risk of food poisoning. Storage times will depend on several factors, including the freshness and quality of the food as well as the temperature at which it is stored.

▶ Only use genuine original Miele accessories with this appliance. Using spare parts or accessories from other manufacturers will invalidate the guarantee, and Miele cannot accept liability.

Cleaning and care

▶ Do not use any oils or grease on the door seal, as these will cause the seal to deteriorate and become porous with time.

▶ Do not use a steam cleaning appliance to clean this appliance. Steam could reach electrical components and cause a short circuit.

▶ Do not use sharp edged objects to

- remove frost and ice,
- lift frozen food and remove ice trays.

They will damage the evaporator, causing irreversible damage to the appliance.

▶ Never place electric heaters or candles in the appliance to defrost it. These can damage the plastic parts.

▶ Do not use defrosting sprays or de-icers, as they might contain substances which could damage the plastic parts or which could cause a build-up of gases and pose a danger to health.

Transporting the appliance

- ▶ Always transport the appliance in an upright position and in its original transport packaging to prevent damage in transit.
- ▶ Danger of injury and damage. The appliance is heavy and must be transported by two people.

Disposal of your old appliance

- ▶ Before disposing of an old appliance, first make the door latch or lock unusable.

This way you will prevent children from accidentally locking themselves in and endangering their lives.

- ▶ Be careful not to damage any part of the pipework whilst awaiting disposal, e.g. by

- puncturing the refrigerant channels in the evaporator,
- bending any pipework,
- scratching the surface coating.

Leaking refrigerant can damage the eyes.

How to save energy

	Normal energy consumption	Increased energy consumption
Installation site / Maintenance	In a ventilated room.	In an enclosed, unventilated room.
	Protected from direct sunlight.	In direct sunlight.
	Not near to a heat source (radiator, oven).	Near to a heat source (radiator, oven).
	Where the ideal ambient room temperature is approx. 20°C.	Where there is a high ambient room temperature.
	Ventilation gaps uncovered and dusted regularly.	Ventilation gaps covered up or dusty.
Temperature setting	Refrigerator section 4 to 5°C	With a low temperature setting: the colder the temperature in the refrigerator section, the higher the energy consumption.
	PerfectFresh zone just above 0 °C	

How to save energy

	Normal energy consumption	Increased energy consumption
Use	Drawers, shelves and racks arranged as they were when the appliance was delivered.	
	Only open the door when necessary and for as short a time as possible. Store food in an organised way.	Frequent opening of the door for long periods will cause a loss of coldness. The appliance works harder to cool down and the compressor runs for longer periods.
	Take an insulated cool bag with you when shopping and place food in the appliance as soon as possible. Replace any food removed as quickly as possible, before it begins to thaw. Allow hot food and drinks to cool down before placing them in the appliance.	Hot food or food at room temperature raises the temperature inside the appliance. The appliance works harder to cool down and the compressor runs for longer periods.
	Store food covered or packaged.	The evaporation or condensation of liquids will cause a loss of coldness in the refrigerator.
	Place frozen food in the refrigerator to defrost.	
	Do not over-fill the appliance to allow air to circulate.	

Switching on and off

Before using for the first time

Packing material

- Remove all the packing material from the interior of the appliance.

Protective foil

The stainless steel trim to the interior shelves and the door shelves has a layer of protective foil to prevent damage during transportation.

- Carefully remove the protective foil from the stainless steel trim.

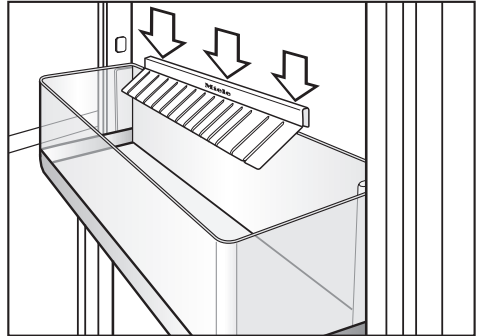
Cleaning

See "Cleaning and care" for more information.

- Clean the inside of the appliance and the accessories.

Accessory - Bottle holder

The flexible ribs grip the bottles securely when the door is opened and closed.



- Attach the bottle holder centrally along the rear edge of the bottle shelf, as shown.

Switching on



- Press the On/Off button.

The temperature display lights up, the appliance starts cooling and the interior light will come on when the door is opened.

To enable the temperature to get sufficiently cold inside the appliance, allow the appliance to run for a few hours before placing food in it.

Switching off



- Press the On/Off button until the display goes out.

The cooling system is switched off. If this does not happen, the safety lock is still activated (see "Selecting settings - To deactivate the lock").

Switching off for longer periods of time

If the appliance is not going to be used for a longer period of time, e.g. whilst on holiday:

- switch the appliance off,
- disconnect it from the mains,
- clean the appliance out and
- leave the door ajar to air the appliance.

If, during a long absence, the appliance is switched off but not cleaned out and the door is left shut, there is a danger of mould and odours building up inside the appliance.

The correct temperature

It is very important to set the correct temperature for storing food in the appliance. Micro-organisms will cause food which is not stored at the correct temperature to deteriorate rapidly. Temperature influences the growth rate of these micro-organisms. Reducing the temperature reduces their growth rate.

The temperature in the appliance will rise:

- the more often the door is opened and the longer it is kept open,
- the more food that is stored in it,
- the warmer the food is which is being put into it,
- the higher the ambient temperature surrounding the appliance.

The appliance is designed for use in specific ambient temperatures (climate ranges). Do not use in ambient temperatures for which it is not designed.

. . . in the refrigerator and the PerfectFresh zone

We recommend a temperature of **4°C** in the refrigerator.

The temperature in the PerfectFresh zone is controlled automatically, and is maintained at **0 to 3°C**.

Dynamic cooling

The dynamic cooling fan switches on automatically when the cooling system for the refrigerator switches on. It distributes the temperature in the appliance to all areas more evenly so that all the food will be chilled to about the same degree.

The correct temperature

Temperature display

In normal operation the temperature display shows the **average, actual temperature in the refrigerator section**.

Setting the temperature

It is advisable to select a setting from **3°C to 5°C**, if the door is opened frequently, large quantities of food are stored in the refrigerator or there is a high ambient temperature.

The temperature can be adjusted from 9°C to 3°C.



- Press the temperature selector button repeatedly until the temperature you want appears in the temperature display.

The first time you press the button the last temperature selected will flash in the display.

The temperature value will change until the setting for 3°C is reached. It will start again with 9°C.

The newly selected temperature will be adopted automatically after a short while.

The temperature in the refrigerator section will adjust slowly until it is at this value.

The correct temperature

Setting the temperature in the PerfectFresh zone

The temperature in the PerfectFresh zone is automatically held at 0 to 3°C. It can be raised or lowered slightly, e.g. if you want to use it for storing items like fish.

b5 is the default setting for the PerfectFresh zone. If a setting of **b1** to **b4** is selected, the temperature can fall below 0°C. Food could freeze.

Setting the temperature



- Press the Super cool button for approx. five seconds.

The Menu symbol \equiv will light up and ϵ will start flashing in the display. Settings mode is now activated.



- Press the temperature selector button repeatedly until **b** flashes in the display.



- Press the Super cool button briefly to call up the function.

b and the last value selected will appear in the display.



- You can now adjust the temperature in the PerfectFresh zone by pressing the temperature selector button. You can choose from settings **1** to **9**:
1: lowest temperature,
9: highest temperature.



- Press the Super cool button to save the setting.

To come out of Settings mode:



- Press the On/Off button.

The temperature for the refrigeration section will appear in the display again.

The new temperature setting for the PerfectFresh zone takes effect gradually.

Settings mode

Certain settings on the appliance can be changed using Settings mode.

Altering the temperature in the PerfectFresh zone	<i>b</i>
Activating or deactivating the lock	<i>c</i>

Please refer to "The correct temperature" for instructions on how to **adjust the temperature in the PerfectFresh zone**.

See below for instructions on how to **activate or deactivate the lock**.

Settings mode is represented in the display by the Menu symbol .


Activating or deactivating the lock

The lock can be activated to prevent the appliance being switched off by mistake.

– To activate the lock



- Press the Super cool button for approx. five seconds.

The Menu symbol  will light up and *c* will start flashing in the display. Settings mode is now activated.



- Press the Super cool button briefly to call up the lock function.
c1 will appear in the display.



- Press the Super cool button briefly to activate the lock.

The Lock symbol  will light up.

To come out of Settings mode:



- Press the On/Off button briefly.

The temperature for the refrigeration section will appear in the display.

Selecting settings

– To deactivate the lock



- Press the Super cool button for approx. five seconds.

The Menu symbol ☰ will light up and c will start flashing in the display. Settings mode is now activated.



- Press the Super cool button briefly to call up the lock function.

c will appear in the display.



- Press the Super cool button briefly to deactivate the lock.

The Lock symbol 🔒 will go out.

To come out of Settings mode:



- Press the On/Off button.

The temperature for the refrigeration section will appear in the display.

Super cool

The Super cool function can be used to rapidly reduce the temperature in the refrigerator to its lowest setting (depending on the room temperature).

Super cool is particularly recommended for the faster chilling of large amounts of fresh food or drink.

Switching on Super cool



- Press the Super cool button.

The Super cool symbol ❄ will light up. The appliance will work at full power to lower the temperature in the appliance.

Switching off Super cool

The Super cool function will switch itself off automatically after approx. 12 hours. The Super cool symbol ❄ will go out and the appliance will run at normal power again.

To save energy, the Super cool function can be switched off once food and drinks are sufficiently chilled.



- Press the Super cool button. The Super cool symbol ❄ will go out.

The appliance will run at normal power again.

Door alarm

Your appliance has been fitted with an warning system to avoid energy being wasted if the door is left open

Door alarm

The alarm will sound if the door is left open for more than 60 seconds.

The alarm will stop as soon as the door is closed.

Switching the alarm off early

If the noise disturbs you, you can switch the alarm off early if you wish.



- Press the alarm off button.

The alarm will stop.

The alarm cannot be switched off early in Settings mode.

Storing food in the refrigerator section

Different storage zones

Due to the natural circulation of the air in the appliance, there are different temperature zones in the refrigerator section. Cold, heavy air sinks to the lowest section of the appliance. Make use of the different zones when placing food in the appliance.

This appliance has automatic dynamic cooling, which helps to keep an even temperature when the fan is running, making the difference between the various zones less pronounced.

Warmest area

The warmest area is in the top section at the front and in the door. Use this for storing butter and cheese.

Coldest area

The coldest area in the refrigerator is directly above the PerfectFresh zone dividing plate and at the back of the appliance. The temperature in the PerfectFresh zone compartments is even colder.

Use these areas in the refrigerator and the PerfectFresh zone for all delicate and highly perishable food, e.g.

- fish, meat, poultry,
- sausage products, ready meals,
- dishes or baked goods containing eggs or cream,
- fresh dough, cake mixtures, pizza or quiche dough,

- soft cheese and other dairy products,
- pre-packed vegetables and other fresh food with a label stating it should be kept at a temperature of approx. 4°C .

Do not store explosive materials in the appliance or any products containing propellants (e.g. spray cans). Danger of explosion.

If storing food which contains a lot of fat or oil in the refrigerator or the refrigerator door, make sure that it does not come into contact with plastic components as this could cause stress cracks or break the plastic.

Food must not touch the back wall of the refrigerator, as it may freeze to the back wall.

To allow air to circulate efficiently, do not pack food too closely together in the refrigerator.

Do not cover the fan in the rear wall of the refrigerator, as this is essential for keeping the appliance cool.

Storing food in the refrigerator section

Food which is not suitable for storing in the refrigerator

Not all food is suitable for storing in a refrigerator at temperatures below 5°C as some food is sensitive to cold. The appearance, consistency, taste and / or the vitamin content of certain types of food can be adversely affected by being stored in too cold a place.

Food which does not tolerate cold temperatures includes:

- Pineapples, avocados, bananas, pomegranates, mangos, melons, papayas, passion fruit, citrus fruit (such as lemons, oranges, mandarins, grapefruit),
- Fruit which is not yet ripe,
- Aubergines/egg plant, cucumber, potatoes, peppers/capiscum, tomatoes, courgettes/zucchini,
- Some hard cheeses, e.g. Parmesan.

When shopping for food

The freshness of food when first placed in the appliance is an important factor in determining how long it stays fresh, and how long it can be kept in the refrigerator. Always observe the use-by date and the recommended storage temperature. Time out of the refrigerator, e.g. during transportation, should be kept to a minimum. For example, do not allow food to stay in a hot car for too long.

Tip: Take a cool bag with you when shopping and on return place food into the appliance immediately.

Storing food correctly

Food should generally be stored covered or packaged in the refrigerator (there are some exceptions to this rule in the PerfectFresh zone - see below). This will prevent food smells from affecting other food, food from drying out, and also any cross-contamination of bacteria. This is particularly important for protein-based food such as meat or fish.

The growth of bacteria, such as salmonella, can be avoided by setting the correct temperature and maintaining good standards of hygiene.

Storing food in the PerfectFresh zone

The PerfectFresh zone provides ideal storage conditions for fruit, vegetables, fish, meat and dairy products. Food stays fresh considerably longer while retaining both flavour and vitamins.

The temperature in the PerfectFresh zone is maintained automatically at between 0 - 3 °C. 0 - 3 °C, while lower than the temperature in a standard refrigerator, is the optimum temperature range for storing fresh food which is not sensitive to cold.

The deterioration process is decelerated in this temperature range so food can be stored without loss of freshness for considerably longer than in a standard refrigerator.

The humidity in the PerfectFresh zone can also be regulated to suit the food being stored. Food retains its own moisture if stored at a higher humidity and so does not dry out as quickly. This allows it to stay crisp and fresh for longer.

Remember that the fresher the food when placed in the appliance, the longer it will stay fresh.

Take food out of the PerfectFresh zone approx. 30 - 60 minutes before using it. The aroma and taste do not fully develop until the food has reached room temperature.

The PerfectFresh zone is divided into two areas:

- The temperature is between 0 - 3 °C in the top **dry compartment** (depending on model, there may be one or more of this type of compartment) and the humidity is not increased ▲.
Use this compartment to store fish, meat, dairy products and other kinds of food, providing it is wrapped.
- The temperature is between 0 - 3 °C in the bottom **humidity controlled compartment**. Depending on the position of the regulator, the humidity is not increased ▲ or increased ▲▲. Fruit and vegetables can be stored in this compartment with the humidity increased.

Storing food in the PerfectFresh zone

Dry compartment 🍷

The dry compartment is ideal for storing foods which perish easily, such as

- Fish and seafood;
- Meat, poultry and sausages;
- Salads and lettuce;
- Dairy products, e.g. yoghurt, cheese, cream, quark etc;
- You can also use the dry compartment to store all types of food, providing it is wrapped.

The main advantage of the dry compartment is the low temperature (rather than the humidity). The humidity in the dry compartment is approximately the same as in a standard refrigerator.

Please note that food rich in protein deteriorates faster than other types of food.

Shellfish, for example, deteriorates faster than fish, and fish deteriorates faster than meat.

Always keep these foods **covered or wrapped**.

Humidity controlled compartment 🍷, 🍷🍷

The humidity controlled compartment has a regulator which is used to adjust the relative humidity.

Slide the regulator to the 🍷 or 🍷🍷 relative humidity setting.

Humidity level not increased 🍷

At the 🍷 setting, the humidity controlled compartment becomes a dry compartment - the regulator opens the vents in the compartment so that the humidity escapes (see "Dry compartment 🍷").

Increased humidity 🍷🍷

With regulator at the 🍷🍷 setting, the humidity controlled compartment is suitable for storing fruit and vegetables. The regulator closes the vents in the compartment so that the humidity is retained.

The humidity greatly depends on the type and quantity of food being stored, if stored unwrapped.

The humidity can be too low if there is only a small amount stored in the compartment.

Tip: If you are only storing a small amount of food, wrap it in airtight packaging.

In some circumstances, condensate can occur in the humidity controlled compartment at the increased humidity setting. Use a cloth to remove the condensate.

Storing food in the PerfectFresh zone

The following tips may help if you find that food you have stored does not keep well (e.g. food becomes limp or wilts after only being stored for a short time):

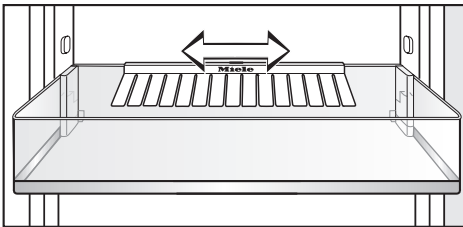
- Only use the appliance for storing fresh food. The condition of the food when it is first placed in the appliance is an important factor in determining how long it stays fresh.
- Clean the PerfectFresh compartments before placing food in them.
- Allow very moist food to drain before placing it in the PerfectFresh zone.
- Do not store food which is sensitive to cold in the PerfectFresh zone (see "Food which is not suitable for storing in the refrigerator")
- Select the correct PerfectFresh compartment as well as the correct position for the humidity controlled compartment regulator (humidity not increased or humidity increased).
- Increased humidity ▲▲ in the humidity controlled compartment is achieved via the moisture present in the food being stored, i.e. the more food stored in the compartment, the higher the humidity.
If too much moisture has gathered on the floor of the compartment and the food has been affected, dry the floor with a cloth and place a rack or similar item in the compartment so that moisture can then drip down.
If the humidity level becomes too low, wrap the food in airtight packaging.
- If you think that the temperature in the PerfectFresh zone is too high or too low, try regulating it by altering the temperature of the refrigerator section slightly by 1 to 2 °C.
The temperature must be increased if ice crystals start to form on the floor of the PerfectFresh zone as otherwise the cold temperature will damage the food.

Adjusting the interior fittings

Adjusting the door shelf/bottle shelf

- Push the door/bottle shelf upwards, then remove it by pulling it forwards.
- Replace the door/bottle shelf at the required position. Ensure that it is pushed back into position securely.

Moving the bottle holder



The bottle holder can be moved to the left or right to create more room for drinks cartons, for example.

The bottle holder can be removed completely (e.g. for cleaning).

- Push the bottle shelf upwards, then remove it by pulling it forwards.
- Pull the bottle holder upwards to remove it from the rear edge of the bottle shelf.

Moving the shelves

The shelves can be adjusted according to the height of the food.

- Raise the shelf slightly at the front, and pull it forwards a little until the notch at the side is in line with the shelf support. It can then be raised or lowered to the required level.

The raised edge of the protective strip at the back of the shelf must face upwards to prevent food from touching the back of the appliance and freezing to it.

Stoppers prevent the shelves from being dislodged by mistake.

PerfectFresh zone compartments

The compartments in the PerfectFresh zone are on telescopic runners, and can be removed for filling, emptying or cleaning purposes.

Remove the bottle shelf from the door to make it easier to take out the compartments and the compartment lid.

- Pull out the compartment as far as it will go, and then lift it up and out.

Push the runners back in again to avoid damaging them.

- Carefully pull out the lid between the compartments slightly, and lift it down and out.
- To replace it, insert the compartment lid from beneath into the holders, and push it back until it clicks into place.

Replacing the compartment(s)

- Push the runners in completely and place the compartment on them.
- Push the compartment into the appliance until it clicks into position.

Automatic defrosting

The refrigerator section defrosts automatically.

Condensate and frost can build up on the back wall of the refrigerator section whilst the compressor is running. You do not need to remove this, as it will defrost and evaporate automatically with the warmth generated by the compressor.

The condensate is drained away via a channel and drain hole into an evaporation system at the back of the appliance.

Ensure that the condensate channel and drain hole are kept clean and are never blocked so that condensate can flow away without hindrance.

Do not let water get into the electronic unit or into the light.

Do not let water get into the condensate channel and drain hole when cleaning.

Do not use steam cleaning apparatus to clean the appliance. Steam could reach electrical components and cause a short circuit.

The data plate located inside the appliance must not be removed. It contains information which is required in the event of a service call.

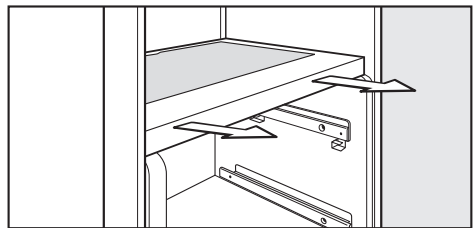
To avoid damaging the surfaces of your appliance, do not use:

- cleaning agents containing soda, ammonia, acids or chlorides,
- cleaning agents containing descaling agents,
- abrasive cleaning agents, e.g. powder cleaners and cream cleaners,
- solvent-based cleaning agents,
- stainless steel cleaning agents,
- dishwasher cleaner,
- oven sprays,
- glass cleaning agents,
- hard, abrasive sponges and brushes, e.g. pot scourers,
- melamine eraser blocks,

- sharp metal scrapers.

Before cleaning

- Switch off the appliance.
The display will go out and the cooling system will switch off. If this does not happen the lock is active (see "Selecting settings - To deactivate the lock").
- Disconnect the appliance from the mains electricity supply.
- Take any food out of the appliance and store it in a cool place.
- Remove all shelves from the appliance door.
- Remove the compartments and the compartment lid from the PerfectFresh zone (see "Adjusting the interior fittings - PerfectFresh zone compartments")
- Take the glass plate out of the dividing plate.



- Pull the dividing plate out with both hands.
- Take out all other removable parts for cleaning.

Cleaning and care

Adjustable shelves

Before cleaning the shelves remove the stainless steel trim at the front and the protective strip at the back of the shelf.

To do this:

- Place the shelf on a worktop covered with a soft material (e.g. on a tea towel).
- Pull the stainless steel trim off the shelf beginning at one side.
- Pull the protective strip off the shelf.
- After cleaning the shelf, reattach the stainless steel trim and protective strip.

Cleaning the interior and accessories

The appliance should be cleaned regularly, at least once a month.

Remove any obvious soiling immediately and do not let it dry on.

- Clean the interior surfaces and accessories with a solution of lukewarm water and a little washing-up liquid. After cleaning, wipe with clean water and dry with a soft cloth.

The following are **dishwasher safe**:

- the bottle holder, egg trays (supplied as standard, depending on model)
- the shelves and bottle shelf in the door
- the adjustable shelves (excluding any stainless steel trim or protective strips)

The temperature of the dishwasher programme must not exceed 55°C. Contact with some foodstuffs, such as carrots, tomatoes or ketchup can cause plastic items to discolour. However, this discolouration will not affect the stability of plastic items.

The following are **not dishwasher safe**:

- the stainless steel trim and the protective strips on the shelves
- the PerfectFresh zone compartments and compartment lid
- the dividing plate
- These should all be hand washed.

- Clean the condensate channel and drain hole frequently, so that condensate can drain away unhindered. Use a straw or similar to clear the drain hole if necessary.

Remove the PerfectFresh zone compartments first.

- The PerfectFresh zone compartments are on telescopic runners. Clean the telescopic runners with a damp cloth.

When cleaning, make sure that you do not wash the special lubricant out of the telescopic runners.

- Leave the door open to air the appliance for a short while.

Ventilation gaps

- The ventilation gaps should be cleaned on a regular basis with a brush or vacuum cleaner. A build-up of dust will increase the energy consumption of the appliance.

Door seal

Do not use any oils or grease on the door seal as these will cause the seal to deteriorate and become porous over time.

- The door seal should be cleaned regularly with clean water, and then wiped dry with a soft cloth.

After cleaning

- Replace all shelves and accessories in the refrigerator section.
- Reconnect to the mains and switch the appliance back on.
- Switch on the Super cool function for a while so that the appliance can cool down quickly.
- Place food back in the appliance and close the door.



Problem solving guide

Some minor problems can be corrected without contacting Miele. The following overview is designed to help you resolve these yourself.

If having followed the suggestions below, you still cannot resolve the problem, please contact Miele.

To prevent unnecessary loss of temperature it is advisable not to open the door of the appliance while waiting for it to be serviced.

Unauthorised installation, maintenance and repairs can cause considerable danger to users. Installation, maintenance and repair work must only be carried out by a Miele authorised technician.

Problem	Possible cause	Remedy
The appliance is not getting cold. The interior lighting does not come on when the door is opened and the display is not lit up.	The appliance has not been switched on.	<ul style="list-style-type: none"> ■ Switch the appliance on. The display should then light up.
	The plug is not inserted in the socket correctly.	<ul style="list-style-type: none"> ■ Insert the plug in the socket correctly and switch on. When the appliance is switched off the mains connection symbol  appears in the display.
	Check whether the mains fuse has tripped. There could be a fault with the appliance, the household electrical wiring or another electrical appliance.	<ul style="list-style-type: none"> ■ Contact a qualified electrician or Miele.
The appliance is not getting cold although the interior lighting and the appliance appear to be working normally.	Demo mode is activated and the symbol  appears in the display. This allows the appliance to be displayed in the showroom without the cooling system being switched on. Do not activate this setting for domestic use!	<ul style="list-style-type: none"> ■ Contact the Service Department to find out how to deactivate Demo mode on your appliance.

Problem solving guide

The compressor is switching on too frequently and for too long, so the temperature in the appliance is dropping.		
Problem	Possible cause	Remedy
The temperature inside the appliance is too low.	The temperature inside the appliance is set too low.	■ Set the correct temperature setting.
	The door is not closed properly.	■ Close the door properly.
	The Super cool function is still switched on. It will switch itself off automatically after approx.12 hours.	You can switch off the Super cool function earlier to save energy. ■ Press the Super cool button.
The compressor is running all the time.	To save energy, the compressor runs at a lower speed when less cooling is required. The compressor will run for longer when this happens.	This is normal and does not require attention.

Problem solving guide

Problem	Possible cause	Remedy
<p>The compressor switches on too frequently and for longer.</p>	<p>The ventilation gaps in the housing unit are covered or dusty.</p>	<ul style="list-style-type: none"> ■ Uncover the ventilation gaps. ■ Dust the ventilation gaps regularly.
	<p>The appliance door has been opened too frequently, or a large amount of fresh food has been put in at once.</p>	<ul style="list-style-type: none"> ■ Only open the door when you need to and then only for as long as necessary. <p>The appliance will regain the required temperature after a short while.</p>
	<p>The ambient temperature is too high. The higher the ambient temperature, the longer the compressor will run for.</p>	<ul style="list-style-type: none"> ■ See "Installation - Location" for more information.
	<p>The appliance is not correctly installed in its housing unit.</p>	<ul style="list-style-type: none"> ■ See "Building in the appliance".

Problem solving guide

The compressor is switching on less frequently than it should and for shorter periods of time, so the temperature in the appliance is increasing.

Problem	Possible cause	Remedy
The temperature inside the appliance is too high.	This is not a fault.	<ul style="list-style-type: none">■ Set the correct temperature setting.■ Check the temperature again in 24 hours time.


Messages in the display

Problem	Possible cause	Remedy
<i>FD</i> to <i>F9</i> appears in the display.	There is a fault.	<ul style="list-style-type: none">■ Call Miele Service.

Problem solving guide

Interior lighting		
Problem	Possible cause	Remedy
<p>The interior lighting is not working.</p>	<p>The appliance has not been switched on.</p>	<p>■ Press the On/Off button.</p>
	<p>To avoid overheating, the lighting switches itself off automatically after approx. 15 minutes if the door is left open. If this is not the case, then there is a fault.</p>	<p>Call Miele Service. The LED lighting may only be repaired or replaced by a Miele service technician. There are live electrical components under the cover. Danger of injury and damage to the appliance.</p> <div style="border: 1px solid gray; padding: 10px; margin-top: 10px;"> <p>Do not remove the lighting cover. If the cover is damaged or needs to be removed due to damage, exercise caution. There are lasers in the lighting (laser beam class 1M) which you should avoid looking at directly. Do not use optical instruments (magnifying glass or similar) to look at the lighting either.</p> </div>

Problem solving guide

Other problems		
Problem	Possible cause	Remedy
You cannot switch the appliance off.	The lock has been activated. The  symbol will appear in the display.	■ Deactivate the lock (see "Selecting settings - To deactivate the lock").
The external side panels of the appliance feel warm.	This is not a fault. The warmth created by the evaporator is used to prevent condensation.	This is normal and does not require attention.
The floor of the refrigerator section is wet.	The condensate drain hole is blocked.	■ Clean the condensate channel and drain hole.

Noises

Normal noises	What causes them
Brrrrr...	Humming noise made by the motor (compressor). This noise can get louder for brief periods when the motor is switching on.
Blubb, blubb....	A gurgling noise can be heard when coolant is circulating through the pipes.
Click....	Clicking sounds are made when the thermostat switches the motor on and off.
Sssrrrrr....	On multi-zone and frost-free appliances you can sometimes just hear the movement of air circulating inside the appliance.
	On appliances with a water container, the pump makes a humming noise when water is being drawn into the water container.
Creak ...	Creaking sounds can be heard when material inside the appliance expands.

Remember that the noise of the compressor and the coolant circulating in the system is unavoidable.

Noises that you can easily rectify	Possible cause	Remedy
Rattling, vibrating	The appliance is uneven.	Realign the appliance using a spirit level, by raising or lowering the screw feet underneath the appliance.
	The appliance is touching another appliance or piece of furniture.	Move it away.
	Drawers, baskets or shelves are unstable or sticking.	Check all removable items and refit them correctly.
	Are any bottles or containers unstable or knocking against each other?	Separate them.
	The transport cable clips are hanging loose at the back of the appliance.	Remove the clips.

In the event of a fault which you cannot correct yourself or if the appliance is under guarantee, please contact:

- your Miele Dealer or
- Miele (see back cover for contact details).

Please note that telephone calls may be monitored and recorded for training purposes.

When contacting your Dealer or Miele, please quote the model and serial number of your appliance. This information is given on the data plate inside the appliance.

N.B. A call-out charge will be applied for service visits where the problem could have been resolved as described in these instructions.

Guarantee

For information on the appliance guarantee specific to your country please contact Miele. See back cover for contact details.

In the U.K. your appliance is guaranteed for 2 years from the date of purchase. However, you must activate your cover by calling 0845 365 6640 or registering online at www.miele.co.uk.

Note for test institutes

Testing must be carried out in accordance with the **relevant Norms and Directives**.

In addition, the following manufacturer's instructions should be observed when preparing and carrying out tests:

- **Loading plans,**
- Instructions in the **Operating and installation instructions.**

The PerfectFresh compartment satisfies the requirements of a chill compartment to EN ISO 15502.

Electrical connection U.K.

All electrical work should be carried out by a suitably qualified and competent person in strict accordance with current local and national safety regulations (BS 7671 in the UK).

The appliance is supplied with a mains cable and moulded plug ready for connection to an a.c. single phase 220-240 V 50 Hz supply.

Please ensure that the connection data quoted on the data plate match the household mains supply.

Connection should be made via a suitable switched socket which is easily accessible. It must not be located behind the appliance. For extra safety it is advisable to protect the appliance with a suitable residual current device (RCD).

Do not connect the appliance to the mains electricity supply by an extension lead. Extension leads do not guarantee the required safety of the appliance (e.g. danger of overheating).

This appliance must not be connected to the inverter of an autonomous power supply, e.g. a solar power system. When switching the appliance on, a surge in power could trigger the safety cut-out mechanism. This could damage the electronic unit.

The appliance must not be used with so-called energy saving devices. These reduce the energy supply to the appliance which could then become too warm. Using such devices could alter the specification of the product.

If the connection cable has to be replaced, this must be done by a suitably qualified and competent person.

Do not plug other appliances in behind this appliance

Non-rewireable plugs (BS 1363)

The fuse cover must be re-fitted when changing the fuse, and if the fuse cover is lost, the plug must not be used until a suitable replacement is obtained. The colour of the correct replacement cover is that of the coloured insert in the base of the plug, or the colour that is embossed in words in the base of the plug (as applicable to the design of the plug fitted).

Replacement fuses should be ASTA approved to BS 1362 and have the correct rating. Replacement fuses and fuse covers may be purchased from your local electrical supplier.

WARNING
THIS APPLIANCE MUST BE
EARTHED

Installation

This appliance must be built in, otherwise it could tip up.

Location

This appliance should not be installed where it is exposed to direct sunlight or directly adjacent to a heat-producing appliance such as an oven or a radiator. The higher the ambient temperature of the room, the more energy the appliance requires to operate. The appliance should be installed in a dry well ventilated room.

When installing the appliance please be aware:

- The socket must be easily accessible in an emergency, not concealed behind the appliance.
- The plug and cable must not touch the rear of the appliance as they could be damaged by vibrations from the appliance.
- Do not plug in other appliances behind this appliance.

Important. In environments with high humidity condensation can build up on the exterior of the appliance. This can cause corrosion of the appliance walls. For prevention, it is advisable to install the appliance with sufficient ventilation in a dry and /or air-conditioned room. Make sure that the appliance door closes properly, the ventilation gaps are not covered and the appliance is installed in accordance with these installation instructions.

Climate range

The appliance is designed for use within certain climate ranges (ambient temperatures) and should not be used outside this range. The climate range of the appliance is stated on the data plate inside the appliance.

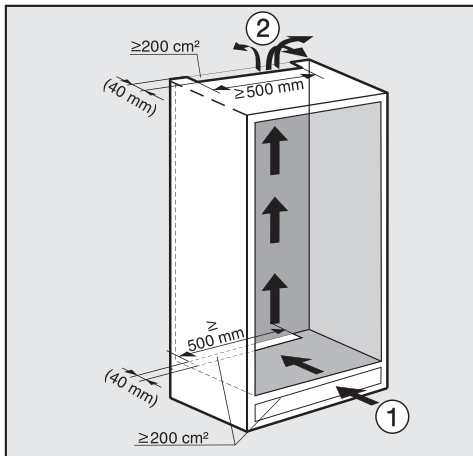
Climate range	Ambient room temperature
SN	+10 °C to +32 °C
N	+16 °C to +32 °C
ST	+16 °C to +38 °C
T	+16 °C to +43 °C

Operating in a room which is too cold will cause the compressor to switch off for too long, causing the internal temperature in the appliance to rise with the risk of food deteriorating and going off.

Ventilation

Specified ventilation gaps must be maintained. Otherwise the compressor will come on more frequently and for longer, resulting in an increase in electricity consumption and also an increase in the operating temperature of the compressor, which can damage it.

Air at the back of the appliance gets warm. The appliance housing unit must be constructed to allow sufficient space for ventilation.



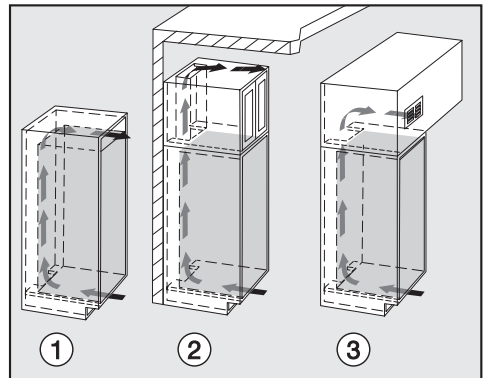
- Air is taken in through the plinth ① and exits upwards at the back of the housing unit ②.
- A ventilation gap of at least 40 mm depth must be provided behind the appliance for air to pass through.

- The cross-sectional area for ventilation in the plinth and the housing unit and also beneath the ceiling needs to be at least 200 cm^2 throughout to ensure that warm air can be drawn through unhindered.
- Important. The appliance uses less energy the larger the ventilation cross-section.

The ventilation gaps must not be covered or blocked in any way. They should be dusted on a regular basis.

Top ventilation gap

The ventilation gap at the top of the appliance can be constructed in different ways:

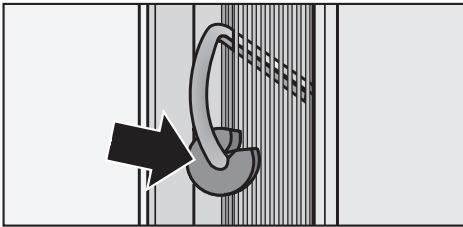


- ① directly above the appliance with a ventilation grille (free airflow of at least 200 cm^2)
- ② in between the housing unit and the ceiling
- ③ through a suspended ceiling

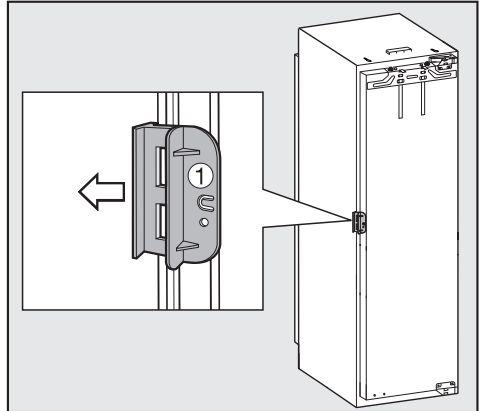
Installation

Before installing the appliance

- Take the accessory pack which includes installation parts and other accessories out of the appliance and remove the packaging strap holding the door in place.
- **Do not** remove the following from the back of the appliance:



- The spacers (depending on model). These ensure the gap required between the back of the appliance and the wall is maintained.
- Depending on model, the pouches located in the metal grille (heat exchanger). They are required for the correct functioning of the appliance. The contents are not poisonous or dangerous.
- Remove any cable clips from the back of the appliance.
- Check that all parts at the back of the appliance are unhindered. Carefully remove any hindrance.



- Open the appliance door, and remove the red safety catch ① (depending on model).

Does your old appliance have a different hinging mechanism?

If your old appliance had a different type of hinging, the furniture door can still be used. Remove the old hinges from the housing unit. They are no longer required because the furniture door is now fitted to the appliance door. All the necessary parts are supplied or can be ordered from the Miele.

Stainless steel front panel

(depending on model)

The old door front can be replaced by a stainless steel front panel if required.

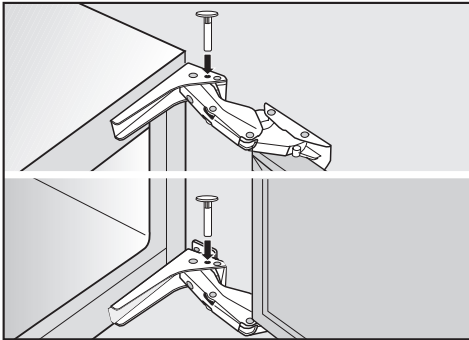
Stainless steel front panels are available to order from Miele.

Adjusting the door hinges

The door hinges are set ex-works to enable the door to be opened wide.

However, if the opening angle of the door needs to be limited for any reason, the hinge can be adjusted to accommodate this.

- If the appliance door fouls an adjacent wall when opened, for example, the opening angle can be limited to 90°.



- Place the locking pins supplied for limiting the door opening into the hinges from above.

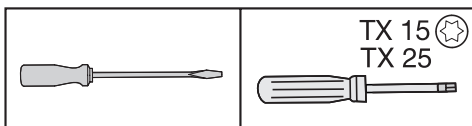
The door opening angle is now limited to 90°.

Changing the door hinging

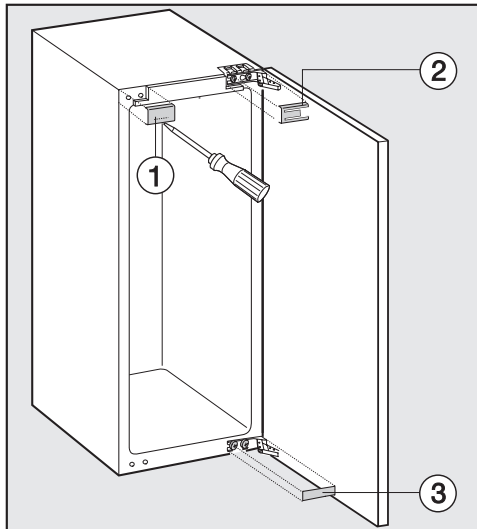
Two people are needed for changing the door hinging.

The appliance is supplied right-hand hinged. If left-hand door hinging is required, follow the instructions below.

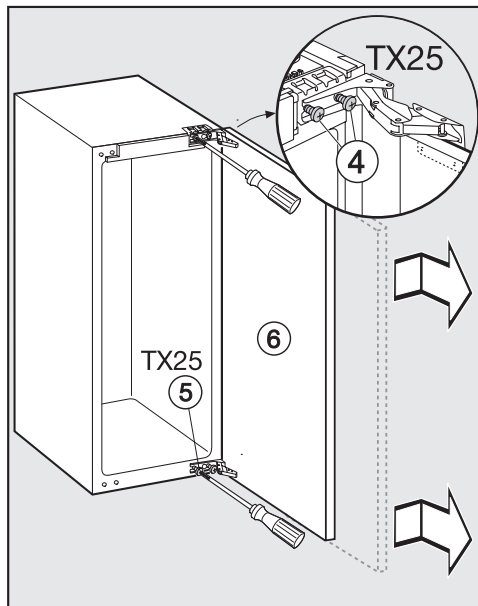
To change the door hinging you will need the following tools:



- Open the appliance door.
- Remove all shelves from the appliance door.

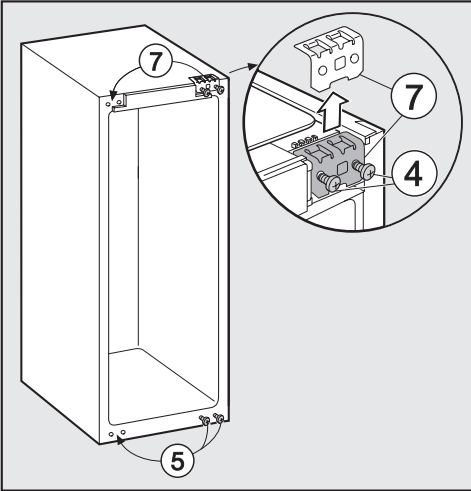


- Remove covers 1, 2 and 3.



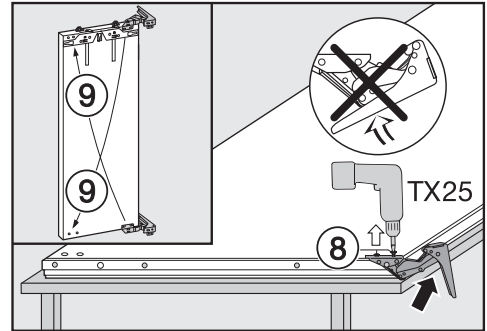
- Slightly undo screws 4 and 5 in the hinges.
- Push appliance door 6 outwards and lift it off.

Changing the door hinging



- Place the dismantled door with the outer side facing upwards on a stable surface.

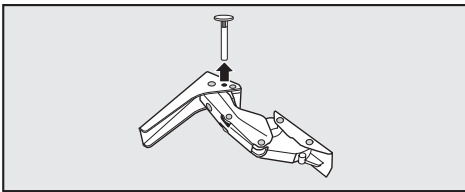
Do not close the hinges. Danger of injury.



- Undo screws (4) completely.
- Fit bracket (7) to the opposite side and loosely fit screws (4).
- Unscrew screws (5) completely, and loosely screw them into the holes on the opposite side.

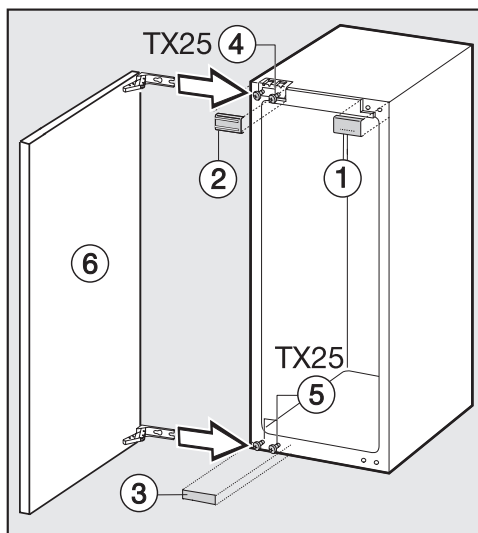
- Unscrew screw (8) completely.
- Replace the hinges in their diagonally opposite corners (9).

If you have put locking pins into the hinges to stop the door opening too far:

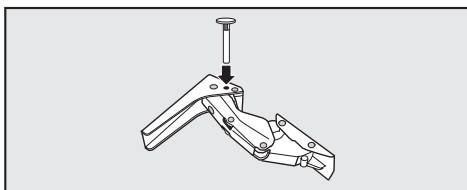


- Remove the locking pins from the top of the hinges.

Changing the door hinging



- Push appliance door ⑥ onto pre-fitted screws ④ and ⑤, and tighten screws ④ and ⑤ securely.
- Replace covers ①, ② and ③.

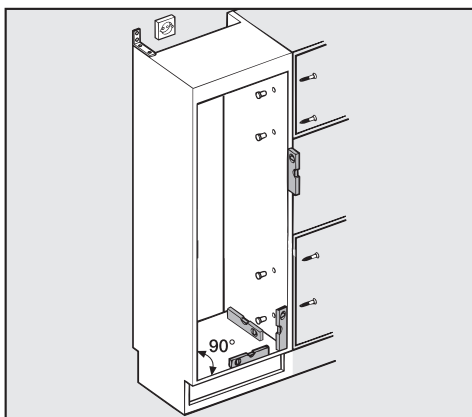


- Replace the locking pins into the top of the hinges to prevent the door opening too far.

Building in the appliance

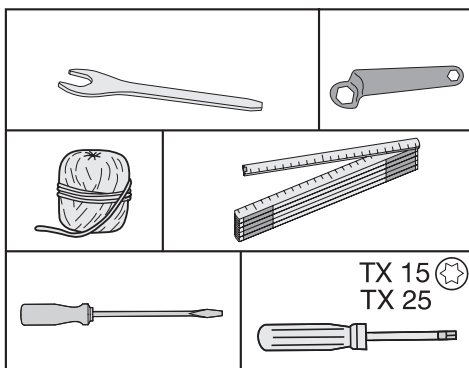
Two people are needed for installing this appliance.

- The appliance must be installed in stable and correctly aligned kitchen furniture on a level surface.
- The housing unit must be secured against the risk of tipping.



- Use a spirit level to align the housing unit.
The unit corners must be at right angles, as otherwise the furniture door will not align correctly with the 4 corners of the unit.
- The required ventilation gaps must be provided (see "Installation - Ventilation"; "Building-in dimensions").

To install the appliance you will need the following tools:

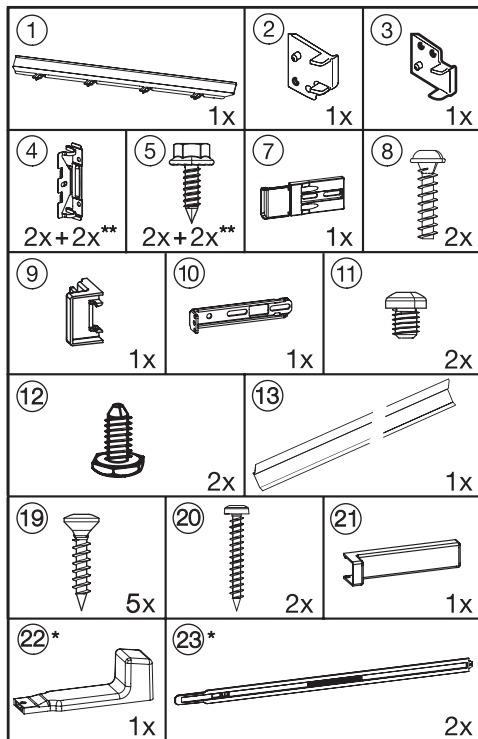


Building in the appliance

The following installation parts are required

All installation parts are number coded. This coding is also used in the installation instructions.

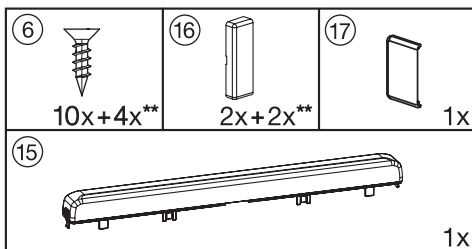
– required for installing the appliance in its housing unit:



* these parts are only supplied with appliances for niche heights of 140 cm and above.

** depending on niche height

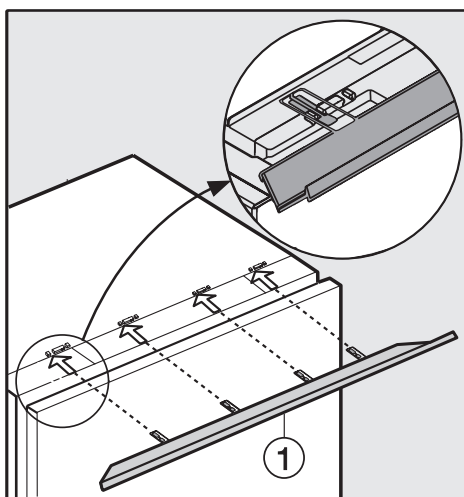
– required for fitting the furniture door:



All fitting instructions given are for a **right-hand hinged** appliance. If you have converted the appliance to left-hand hinging you will need to adapt these instructions accordingly.

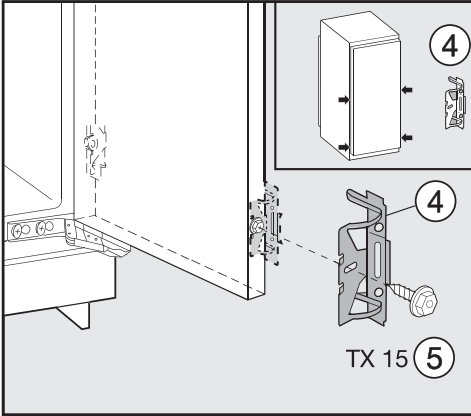
Preparing the appliance

- Position the appliance in front of the housing unit.



- Fit cover strip ① into position.

Building in the appliance



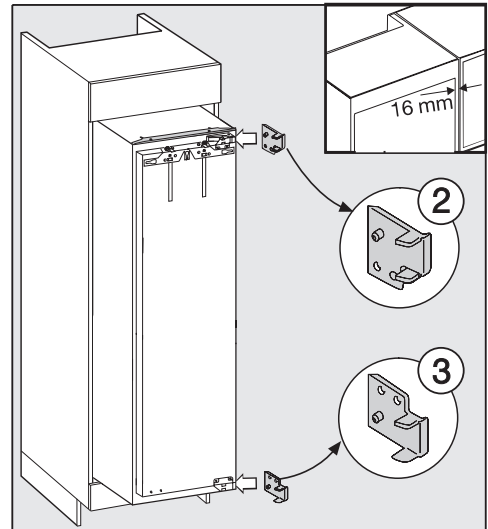
- Screw fixing bracket ④ using hex screw ⑤ to the pre-drilled holes in the appliance door. Attach a second pair of fixing brackets ④ in the handle region of the door. Use the pre-drilled holes in the appliance door.

- Push the appliance two-thirds of the way into its niche. When doing this, make sure that the mains cable does not get trapped.

Tip to help you push it into position: Secure a length of string to the plug to "increase" the length of the connection cable.

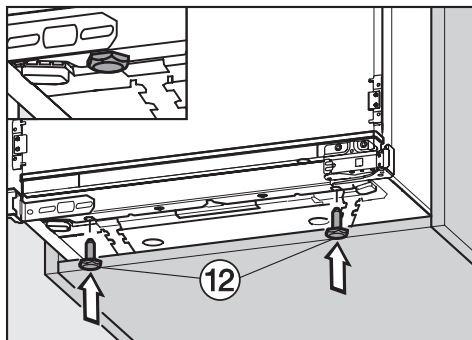
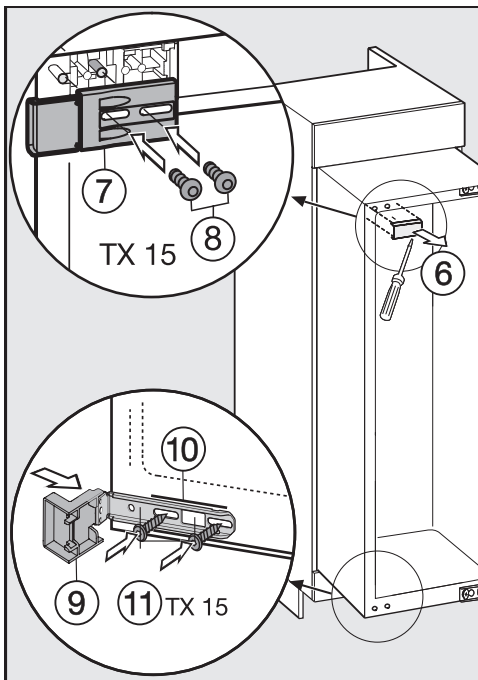
Then pull the cable by the end of the string through the housing unit. It will then be easier to connect once the appliance is in the unit.

With 16 mm thick unit walls:



- Clip spacers ② and ③ on to the right-hand side of the hinges.
- Open the appliance door.

Building in the appliance



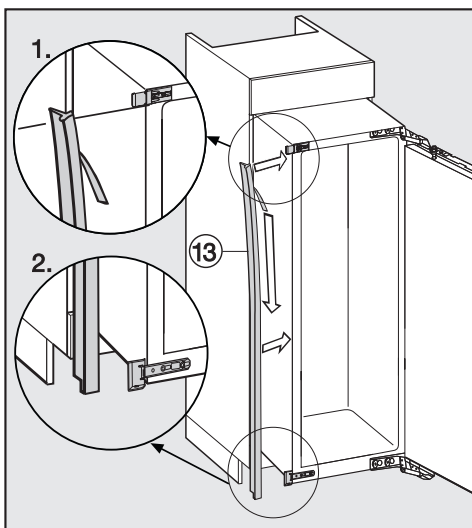
- Screw in adjustable feet ⑫ completely.

- Remove cover ⑥.
- Secure part ⑦ using screws ⑧ loosely into the top left-hand side of the appliance. Do not tighten the screws so that you can adjust the position of this part.
- Fit stopper ⑨ onto fixing bracket ⑩.
- Screw fixing bracket ⑩ using screws ⑪ loosely into the bottom of the appliance. Do not tighten the screws so that you can adjust the position of this part.

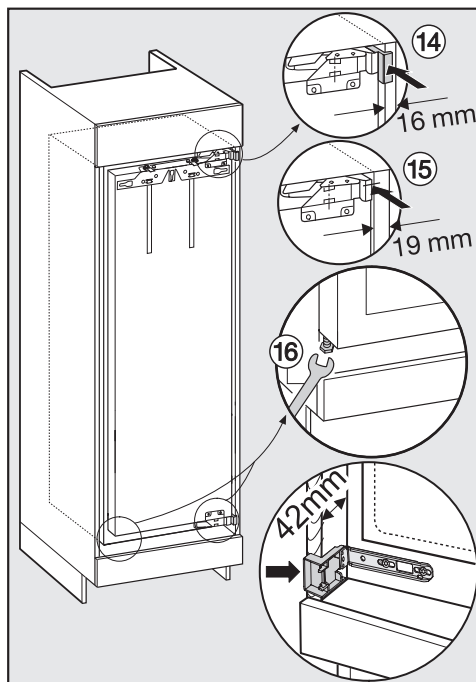
Building in the appliance

Building in the appliance

- Push the appliance into the niche until the fixing brackets at all four corners are in line with the front edge of the furniture side wall.



- Carefully remove the protective foil from sealing strip ⑬.
- Fix sealing strip ⑬ flush with the front of the appliance on the door opening side.
 1. Position the sealing strip flush with the lower edge of the top fixing.
 2. Stick it down along its entire length.



- ⑭ **With 16 mm thick walls:**
The spacers should touch the front edge at the top and bottom of the side walls of the housing unit.
- ⑮ **With 19 mm thick walls:**
The front edges of the top and bottom hinges should be flush with the front edge of the housing side walls.

Building in the appliance

- Check the position of the fixing bracket at the top and bottom front edge of the furniture side wall again.

This will create a gap all round of **42 mm** to the front edges of the housing unit side walls.

On furniture with door fittings (e.g. stubs, seals etc) the dimension of these must be taken into account when making sure there is a gap all round of **42 mm**.

- Pull the appliance forwards by the dimension of the door fitting to keep the gap at 42 mm all round.

The hinges and the covers will now protrude by the dimension of the door fitting.

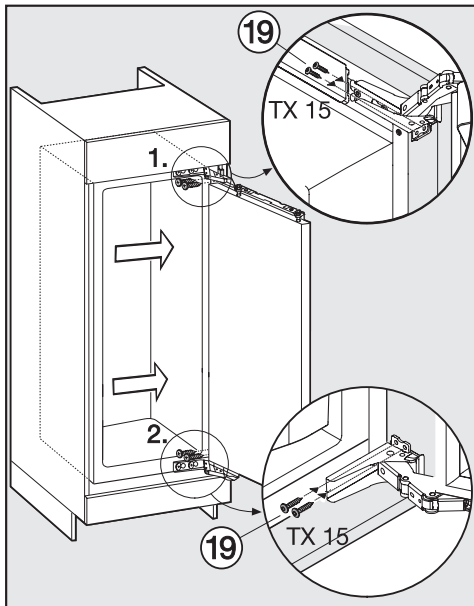
Tip: Remove the door fittings. This will ensure that the door is flush with the surrounding kitchen unit furniture doors.

Niche height 140 cm and above

- ⑯ Align the appliance on both sides by altering the adjustable feet using the spanner supplied.

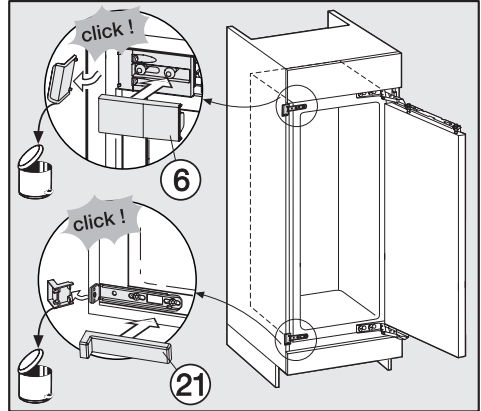
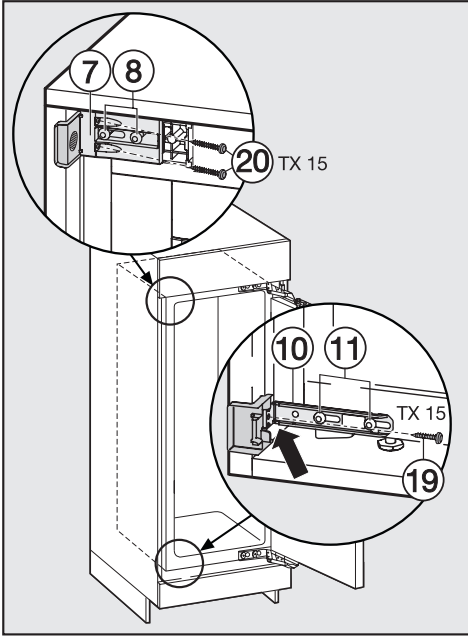
If the all round gap of 42 mm is not maintained between the appliance casing and the front edge of the housing unit side walls the door may not shut properly. This can cause ice to build up, condensate to accumulate and lead to faults in the appliance. These can all lead to increased energy consumption.

Securing the appliance in the niche



- Press the appliance against the side of the housing unit on the hinge side.
- Secure the appliance in the housing unit by screwing chip board screws ⑯ through the tabs on the hinges at the top and bottom of the appliance.

Building in the appliance



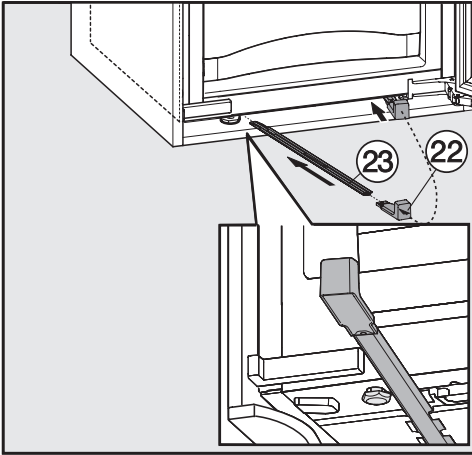
- Push the loose bracket up against the furniture wall.
- Attach fixing bracket ⑩ to the housing unit side wall with screw ⑲. Drill holes in the housing unit side walls if necessary.
- Secure fixing bracket ⑦ to the housing unit side wall with screws ⑳. Drill holes in the housing unit side walls if necessary.
Important Push the protruding bracket using your thumb towards the housing unit wall whilst tightening the screws. The appliance must not pull back into the unit.
- Retighten screws ⑧ and ⑪.

- Snap off any protruding ends from the fixing bracket. They are no longer required.
- Replace covers ⑥ and ⑳ on the fixing brackets.

Building in the appliance

Niche height 140 cm and above

For additional stability of the appliance in the unit, push the rods supplied in underneath the appliance between it and the floor of the housing unit.



- Then secure handle ②② to one of the rods ②③.
- Use the handle to push the rod into the guide as far as it will go. Remove the handle and fit it to the other rod and push this into its guide as far as it will go.

Important. Keep the handle somewhere safe in case you ever need to fit the appliance into a new housing unit.

- Close the appliance door.

Fitting a furniture door

The furniture door must be at least 16 mm thick and not exceed 19 mm thick.

The following gap dimensions must be maintained:

- The gap between the furniture door and a unit door above must be at least 3 mm.
- The vertical gap between furniture doors should also be about 3 mm. The exact dimension will vary depending on the radius of the furniture door edges.

If fitted in a run of units make sure that the top edge of the furniture door is at the same height as neighbouring unit doors.

The furniture door must be fitted correctly and not under tension.

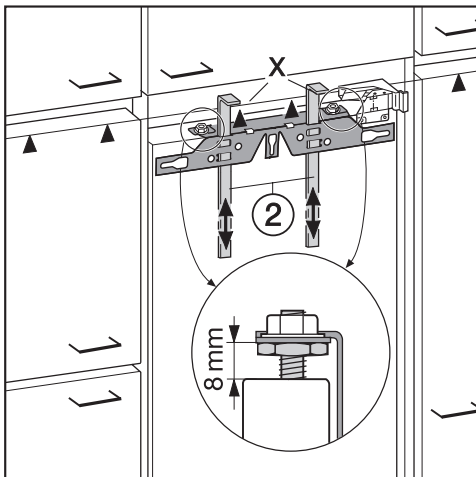
Fitting a door front which is heavier than the maximum permitted could damage the hinges. This can cause subsequent functional problems.

Before fitting a furniture door, ensure that the weight of the door does not exceed the maximum permitted:

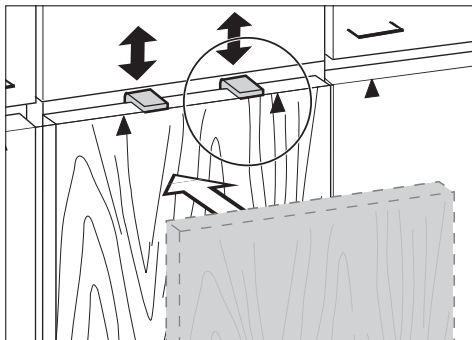
Appliance	Maximum weight of furniture door in kg
K 34272 iD	19
K 35272 iD	21
K 37272 iD	26

When fitting large or divided furniture doors an extra fitting kit or set of fixing brackets should be used. These are available to order from Miele.

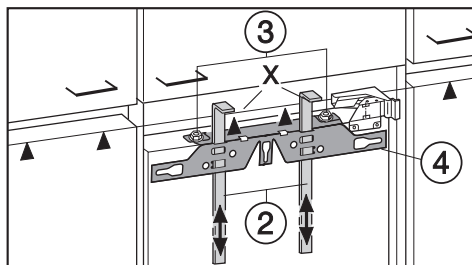
Building in the appliance



- A gap of 8 mm is set ex-works between the appliance door and the fixing bracket. Double check this gap and reset it if necessary.
- Push fitting aids ② up to the height of the furniture door: the lower edge X of the fitting aids must be at the same height as the upper edge of the furniture door being fitted (see ▲ on the diagram).



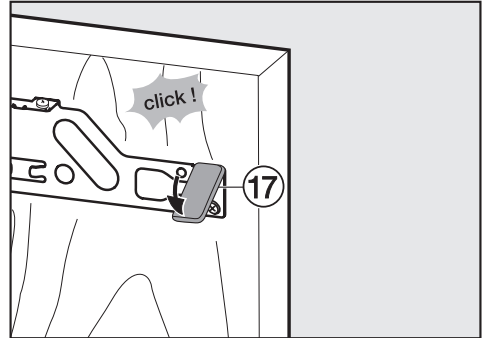
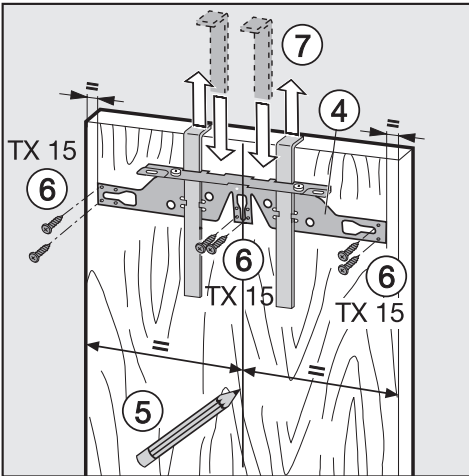
Tip: Push fitting aids ② together with the furniture front up to the height adjoining unit furniture doors.



- Undo nuts ③ and take fixing bracket ④ off together with fitting aids ②.

Building in the appliance

- Place the furniture door with the outer side downwards on a stable surface.

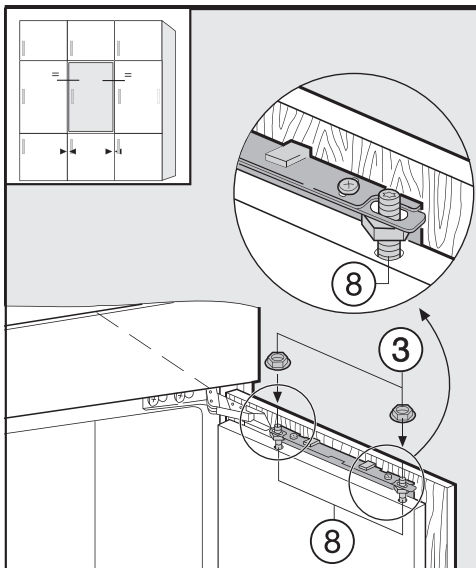


- Using a pencil, lightly mark a line down the centre of the inside of the furniture door (5).
- Position fixing bracket (4) with the fitting aids onto the **inside** of the furniture door. Align the fixing bracket centrally.
- Attach the fixing bracket securely using at least 6 short chipboard screws (6). (On cassette doors only use 4 screws on the edges). Drill holes in the furniture door if necessary.
- Pull the fitting aids upwards to remove them (7). Turn them around and fit them into the middle slots of the fixing bracket for safe keeping.

- Fit the side cover (17) over the fixing bracket on the hinge side.
- Turn the furniture door over and fix the handle if required.

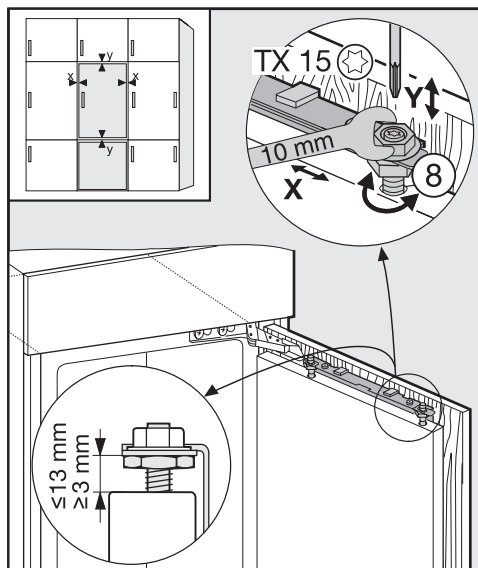
Building in the appliance

- Open the appliance door.



- Hang the furniture door onto adjusting bolts (8).
- Loosely attach nuts (3) on the adjusting bolts.
- Close the door and check the distance between the door and neighbouring furniture doors. The gap should be even.

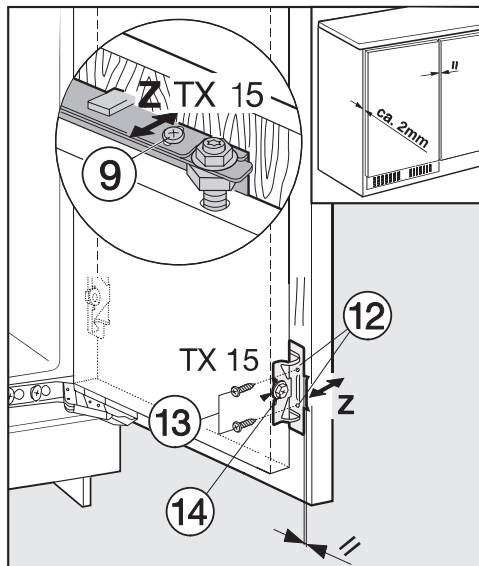
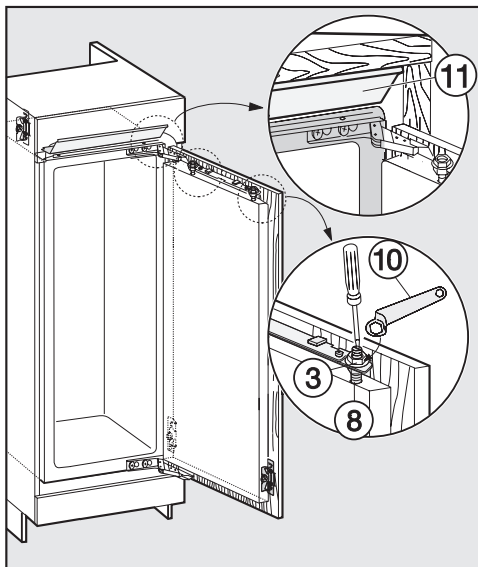
Aligning the door



- **Side adjustments (X)**
- Slide the furniture door.
- **Height adjustment (Y)**
- Use a screwdriver to adjust bolts (8).

A gap of 8 mm is set ex-works between the appliance door and the fixing bracket. This must only be adjusted within its permitted range.

Building in the appliance



- Whilst counterholding adjusting bolts ⑧ with a screwdriver, tighten nuts ③ on the appliance door with ring spanner ⑩.
- Cover strip ⑪ must be completely hidden in the niche, and must not protrude.
- Drill holes ⑫ in the furniture door and fit screws ⑬. Make sure the two metal edges are aligned (Symbol //).
- Close both doors.

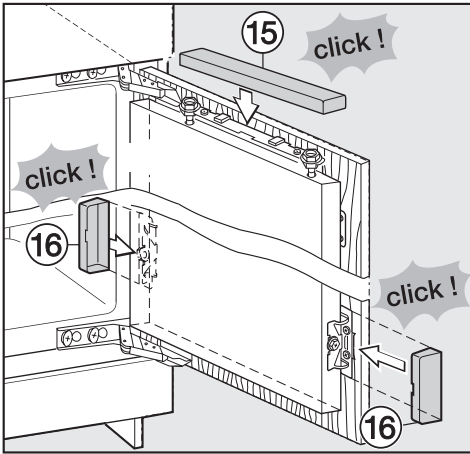
Aligning the door

– Depth adjustment (Z)

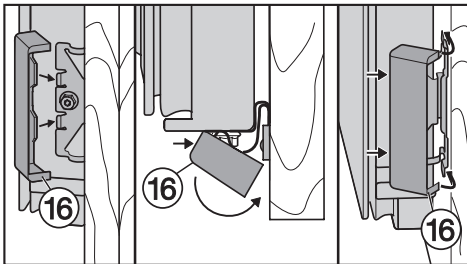
- Loosen screws ⑨ at the top of the appliance door, and screw ⑭ at the bottom of the fixing bracket. By moving the furniture door, create a gap of 2 mm between the furniture door and the housing unit.

Building in the appliance

- Tighten all screws again.



- Replace top cover ⑮, and click it into place.



- Replace side covers ⑯, making sure you hear them click into place.

To make sure the appliance is correctly fitted:

- The doors must close properly.
 - The doors must not touch the housing unit.
 - The seal at the top edge of the handle side must fit properly.
- To double check place a torch in the appliance and close the door. Turn the lights out in the room. If you can see any light shining out from the sides double check the installation.

United Kingdom

Miele Co. Ltd.

Fairacres, Marcham Road

Abingdon, Oxon, OX14 1TW

Tel: 0845 365 0555

Customer Contact Centre Tel: 0845 365 6600

E-mail: info@miele.co.uk

Internet: www.miele.co.uk

Australia

Miele Australia Pty. Ltd.

ABN 96 005 635 398

1 Gilbert Park Drive, Knoxfield, VIC 3180

Tel: 1300 464 353, Fax: (03) 9764 7149

Internet: www.miele.com.au

China

Miele (Shanghai) Trading Ltd.

1-3 Floor, No. 82 Shi Men Yi Road

Jing' an District

200040 Shanghai, PRC

Tel: +86 21 6157 3500, Fax: +86 21 6157 3511

E-mail: info@miele.cn

Internet: www.miele.cn

Miele (Hong Kong) Limited

41/F - 4101, Manhattan Place

23 Wang Tai Road

Kowloon Bay

Hong Kong

Tel: (852) 2610 1331, Fax: (852) 2610 1013

Email: mielehk@miele.com.hk

India

Miele India Pvt. Ltd.

Ground Floor, Copia Corporate Suites

Plot No. 9, Jasola

New Delhi - 110025

Tel: 011-46 900 000, Fax: 011-46 900 001

E-mail: customercare@miele.in, Internet: www.miele.in

Ireland

Miele Ireland Ltd.

2024 Bianconi Avenue

Citywest Business Campus, Dublin 24

Tel: (01) 461 07 10, Fax: (01) 461 07 97

E-Mail: info@miele.ie, Internet: www.miele.ie

Manufacturer: Miele & Cie. KG

Carl-Miele-Straße 29, 33332 Gütersloh, Germany

Miele

Malaysia

Miele Sdn Bhd

Suite 12-2, Level 12

Menara SapuraKencana Petroleum

Solaris Dutamas No. 1, Jalan Dutamas 1

50480 Kuala Lumpur, Malaysia

Phone: +603-6209-0288

Fax: +603-6205-3768

New Zealand

Miele New Zealand Limited

8 College Hill

Freemans Bay, Auckland 1011, NZ

Tel: 0800 264 353, Fax: 0800 463 453

Internet: www.miele.co.nz

Singapore

Miele Southeast Asia

Miele Pte. Ltd.

163 Penang Road

04 - 02/03 Winsland House II

Singapore 238463

Tel: +65 6735 1191, Fax: +65 6735 1161

E-Mail: infosea@miele.com.sg

Internet: www.miele.sg

South Africa

Miele (Pty) Ltd

63 Peter Place, Bryanston 2194

P.O. Box 69434, Bryanston 2021

Tel: (011) 875 9000, Fax: (011) 875 9035

E-mail: info@miele.co.za

Internet: www.miele.co.za

United Arab Emirates

Miele Appliances Ltd.

P.O. Box 11 47 82

Gold & Diamond Park

Sheikh Zayed Road

Building 6 / Offices Nos. 6-214 to 6-220

Dubai

Tel: +971-4-341 84 44

Fax: +971-4-341 88 52

E-Mail: info@miele.ae, Internet: www.miele.ae